

## AUTOMATIC TRAFFIC BOLLARDS



RELIABLE, PRACTICAL AND COST-EFFECTIVE SOLUTION TO  
PROVIDE 100% SECURITY OF YOUR TERRITORY

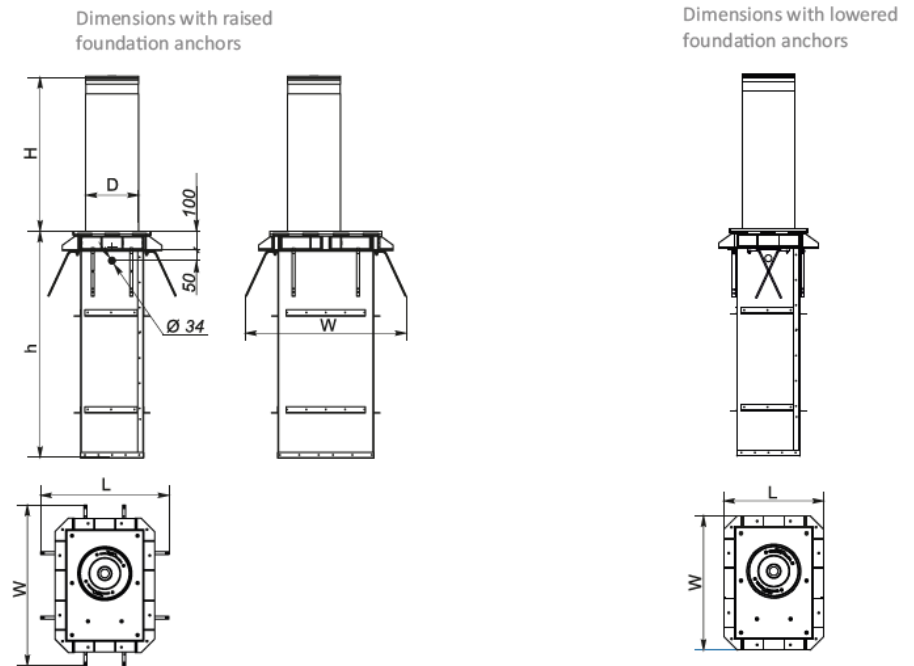
TiSO automatic parking bollards is the most demanded part of traffic barriers range, due to wide project applicability and installation simplicity. This type of TiSO equipment is engineered in order to provide maximum operation durability. Range of TiSO automatic parking bollards include two types:

- 1) blocking segment with built in hydraulic unit and outside PLC;
- 2) blocking segment with outside control box including HPU and PLC in it.

Also the range is classified according to rising heights, tube's materials, diameters etc. Large amount of available accessories enables equipment operation under severe climate circumstances, both extreme above and below 0 C° temperatures. Having no high security features, parking bollards is the perfect choice for installations at private and other areas without strict requirement to antiterrorism protection. All equipment is designed and tested for high intensity operation.

## Installation areas

- Governmental Institutions
- Military Bases
- Nuclear Power Plants
- Production sites (Industrial Plants)
- Commercial areas
- Financial institutions
- Airport Premises
- Business (Office) Center
- Hotels
- Sport Complexes
- Recreation areas
- Urban areas
- Education Institution



## Technical Specs:

| Model                                  | RB343-21                                                                                                                          | RB343-23    | RB349-11    | RB349-12     | RB343-24     | RB343-26     | RB349-14     | RB349-15     |
|----------------------------------------|-----------------------------------------------------------------------------------------------------------------------------------|-------------|-------------|--------------|--------------|--------------|--------------|--------------|
| Drive                                  | Hydraulic (HPU)                                                                                                                   |             |             |              |              |              |              |              |
| Tube diameter (D), mm                  | 114                                                                                                                               | 170         | 220         | 273          | 114          | 170          | 220          | 273          |
| Tube height (H), mm                    | 600                                                                                                                               |             |             |              | 800          |              |              |              |
| Foundation case dimensions (LxWxH), mm |                                                                                                                                   |             |             |              |              |              |              |              |
| • raised foundation anchors            | 560x715x980                                                                                                                       | 610x760x980 | 660x835x980 | 560x700x1170 | 610x755x1170 | 660x830x1170 | 515x695x1170 | 660x830x1170 |
| • lowered foundation anchors           | 450x560x980                                                                                                                       | 460x608x980 | 550x688x980 | 415x565x1170 | 425x615x1170 | 515x695x1170 |              |              |
| Wall thickness, mm                     | 3                                                                                                                                 | 5           | 4           | 8            | 3            | 5            | 4            | 8            |
| Impact resistance, J                   | 10000                                                                                                                             | 35000       | 40000       | 80000        | 15000        | 35000        | 45000        | 85000        |
| Breakout resistance, J                 | 60000                                                                                                                             | 155000      | 160000      | 580000       | 65000        | 155000       | 165000       | 585000       |
| Axle load, mm                          | 15                                                                                                                                |             |             |              |              |              |              |              |
| Rising speed, mm/sec                   | 7,4                                                                                                                               |             | 8,0         |              | 7,5          |              | 10,0         |              |
| Lowering speed, mm/sec                 | 4,5                                                                                                                               |             | 6,0         |              | 4,5          |              | 6,0          |              |
| Operation temperatures**, °C           | -40 / +60                                                                                                                         |             |             |              |              |              |              |              |
| Power supply                           | 1 phase 230V, 50/60 Hz                                                                                                            |             |             |              |              |              |              |              |
| Protection level                       | IP 67 (for bollard)<br>IP 55 (for control box)                                                                                    |             |             |              |              |              |              |              |
| Tube material                          | Brushed stainless steel AISI 304<br>Brushed stainless steel AISI 316<br>Galvanized and powder coated tube (any RAL up on request) |             |             |              |              |              |              |              |

\*Technical data is subject to change without notice

\*\* For for temperatures lower than -10 °C use the heating device; for temperatures higher than +40 °C use the cooler device