

SPEED GATES JETPAN

Jetpan is ideally suited in areas where there is unmanned security the higher wings prevent vaulting over the turnstile. The jetpan is also fitted with optical sensors to prevent tailgating. The contemporary design, appearance and functionality makes the Jetpan suitable for a variety of building entrances, such as banks, utility companies and high end commercial buildings. Access can be controlled by a variety of measures including card readers, bio metrics or manual control panel. Optional customization includes modification for lift designation screens, card collectors and bar code readers.



Advantages

- *Jetpan equipped with sensors that allows to detect tailgating
- *Ultra quiet direct drive unit
- *Successful combination of affordable price and high quality
- *Customized surface finish and top lid
- *Steadfast housing suitable for high traffic areas
- *Solution for disabled and trolley access
- *Can be integrated with any type of access control systems.
- *Low power consumption
- *Low noise system operation
- *Can be mounted on a mobile platform (TiSo Frame-M)

Standard

- *Wired remote control panel

Options

- *Any access control systems upon request (e.g. passes counter, RFID device, coin acceptor, push button, fingerprint, barcode and QR code reader)
- *Radio controller
- *Heating function for external installation
- *Automatic opening when power goes off.

Technical Specifications:

Unit width, mm	1080/1085
Unit length, mm	1000/1005
Unit height, mm	1520
Mechanism	Servodrive

Controlled by:



Access control system



Manual control

When power goes OFF both directions are free.

Electrical Specifications:

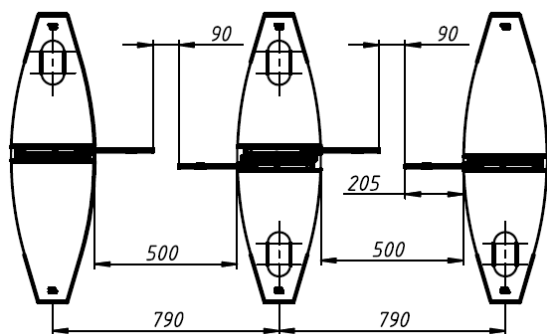
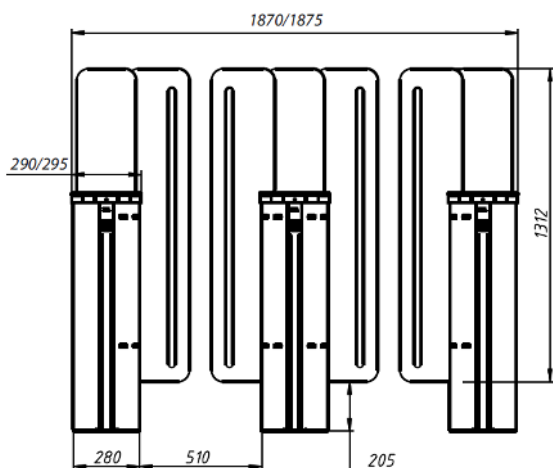
*Voltage:

- from the AC(100-240)V 50/60Hz;
- from DC source 12V;

*Maximum power consumption 155W per pass.

Materials**

Standard housing	Brushed SS AISI 304
Available housing	Brushed SS AISI 316 Polished SS AISI 304 Polished SS AISI 316 Powder coated RAL
Top lid	Stainless steel top Solid glass top



Installation areas:

- *Governmental Institutions
- *Military Bases
- *Nuclear Power Plants
- *Production sites (Industrial plants)
- *Commercial areas
- *Financial institutions
- *Airport Premises
- *Business (Office) Centers
- *Hotels
- *Sport Complexes
- *Recreation areas
- *Urban areas
- *Education Institutions
- *others