

CYCLONE-L

HALF-HEIGHT TURNSTILE

Cyclone-L is a type of outdoor shortened full-height turnstile with metal barrier rods.

Barrier rods design may be straight as well as U-shaped. The range of modifications includes three or four rods types and also different type of metal finishing.



MOST FAVORABLE SOLUTION FOR RECREATION AREAS AND AMUSEMENT PARKS

 **533**
mm
PASSAGE WIDTH

 **20**
pers/min
SINGLE ACCESS

 **60**
pers/min
FREE ACCESS

 **IP 41-65***
PROTECTIVE LEVEL

 **BI-DIRECTIONAL**

Key advantages

- Can operate outdoor and indoor that allows to use it without any restrictions in any season and weather conditions
- Wide range of available material and coating, modification, type of rotor assembly
- Whisper quiet, low noise operation
- Successful combination of affordable price and high quality
- Possibility of a barrier gate customization
- Steadfast housing suitable for high traffic areas
- Wide choice of accessories
- Can be integrated with any type of access control systems
- Low power consumption
- Wired remote control panel is in standard kit
- In case of power failure, free rotation (fail-safe)

Options

- Any access control systems upon request (e.g. passage counter, RFID/Proximity/BioMetric readers, coin acceptor, push button, barcode and QR-code reader)
- OEM / logo application
- Heating function for external installation
- Weather pack - IP 54/IP 65
- U-shaped barrier rods
- Fully welded construction
- Fail-secure at power-off
- Ramped base mobile platform
- Ground frame for installation

* available upon request



www.nos-as.no
+47 466 50500
Mail:ordre@nos-as.no

NOS

NORDISK OMRÅDESIKRING

Turnstile Specifications:

	X-type – 90°	Y-type – 120°
Unit width, mm	1430	1430
Unit length, mm	1350	1168
Unit height, mm	1314	1314
Passage width, mm	533	
Mechanism	servo-driven (motorized)	
Standard housing	Brushed SS AISI 304	
Available housing	Brushed SS AISI 316 Polished SS AISI 304 Polished SS AISI 316 Hot dip galvanized Powder coated RAL	



Controlled by:

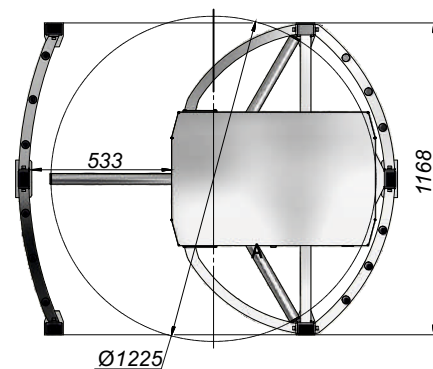
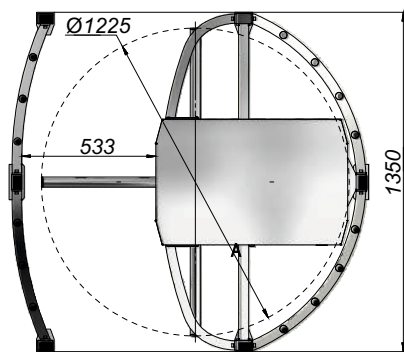
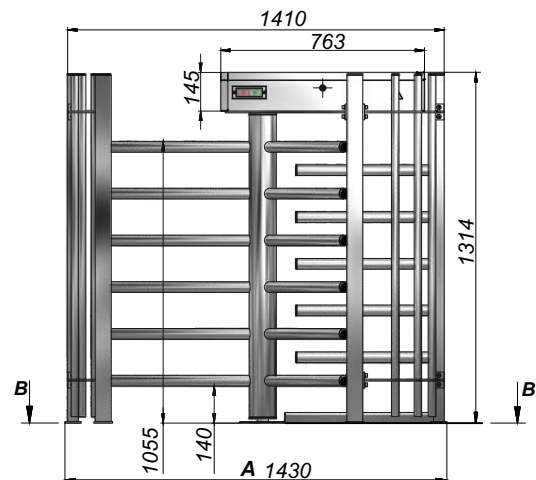
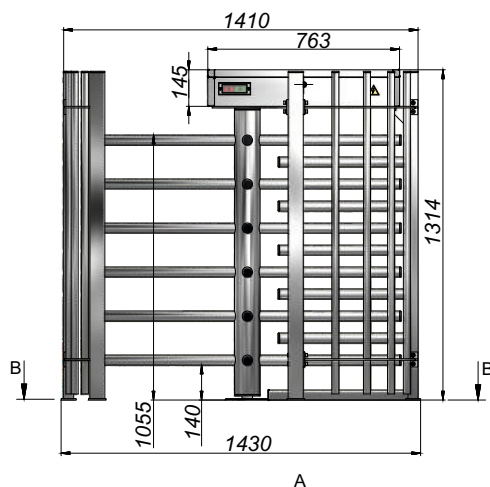
access control system;

manual control

When power goes OFF both directions are free.

Electrical Specifications:

- Voltage:
 - from the AC (100-240)V, 50/60Hz;
 - from a DC source 12 V;
- Maximum power consumption 55W per pass.



Recommended installation areas:

- Sport Complexes
- Recreation areas
- Governmental Institutions
- Production sites (Industrial Plants)
- Commercial areas
- Education Institutions
- Military Bases
- Urban areas
- Financial Institutions and others



www.nos-as.no
 +47 466 50 500
 Mail:ordre@nos-as.no



NORDISK OMRÅDESIKRING